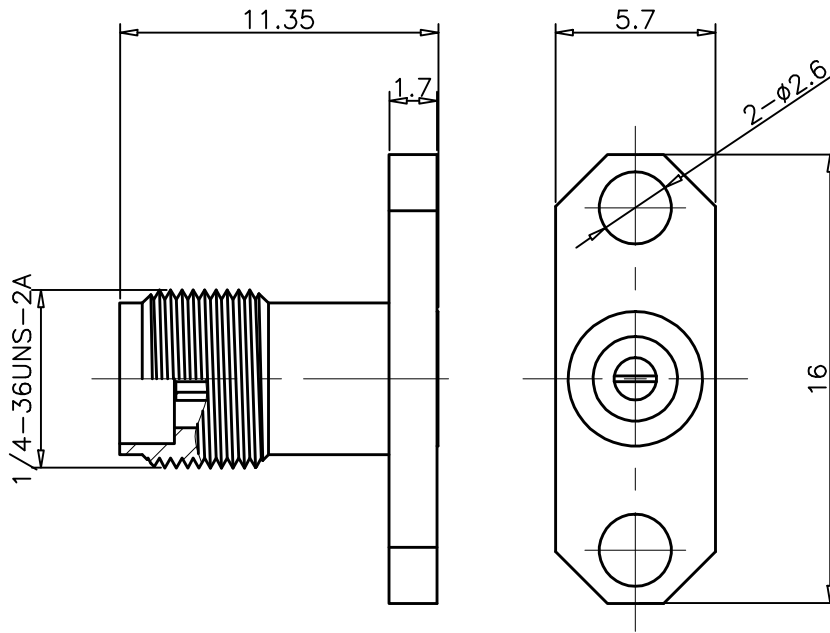


1	2	3	4	
RevNo	Revision note	Date	Signature	Checked
00	Sketch Only	5/12/14	Teresa	Simon



Interface Per: IEC-60169-23

Material & Finishing:

1. Center condutor: Beryllium Copper, Gold Plating
2. Insulators: PEI or PEEK
3. Body : Stainless Steel, Passivated

RoHS Compliant.

ALL DIMENSIONS ARE IN MILLIMETERS AND [INCHES]

KERUI ELECTRONIC CO;LTD

Title

3.5 female 2 holes flange mounted

THESE DRAWING & SPEC. ARE THE PROPERTY OF KERUI ELECTRONIC CO;LTD AND SHALL NOT BE REPRODUCED, OR COPIED OR USED AS THE BASIS FOR THE MANUFACTURE OR SALE OF APPARATUS OR DEVICES WITHOUT THEIR EXPRESS WRITTEN CONSENT.

UNLESS OTHERWISE NOTED ALL SURFACES FINISHED TO 64/MAX.
ALL TOLERANCES ARE:
DECIMALS FRACTIONS ANGLES
x ± 1.0 ±1/64 x' ± 1°
x.x ± 0.5 x'x' ± 0.5°
x.xx ± 0.1

Drawn by
Teresa

Ckd by
Simon

Appd by
Richard

Date
5/12/2014

Scale
4:1

Sheet 1 of 1

18 1121 053 01